

**EVALUATION REPORT OF
UNION CORRUGATING COMPANY
'26 GA. 5V PANEL'**

**FLORIDA BUILDING CODE 6TH EDITION (2017)
FLORIDA PRODUCT APPROVAL
FL 20484.1-R1
ROOFING
METAL ROOFING**

**Prepared For:
Union Corrugating Company
701 S. King St.
Fayetteville, NC 28301
Telephone: (910) 483-0479
Fax: (910) 483-1091**

**Prepared By:
Bala Sockalingam, Ph.D., P.E.
Florida Professional Engineer #62240
1216 N Lansing Ave., Suite C
Tulsa, OK 74106
Telephone: (918) 492-5992
FAX: (866) 366-1543**

**This report consists of
Evaluation Report (3 Pages including cover)
Installation Details (1 Page)
Load Span Table (1 Page)**

**Report No. C2175-1
Date: 8.23.2017**



Manufacturer: Union Corrugating Company

Product Name: 5V Panel

Panel Description: 24" wide coverage with (5) 1/2" high ribs

Materials: Minimum 26 ga., 80 ksi steel. Galvanized coated steel (ASTM A653) or Galvalume coated steel (ASTM A792) or painted steel (ASTM A755).

Deck Description: Min. 15/32" thick APA rated plywood or min. 3/4" thick wood plank (min SG of 0.42) for new and existing constructions. Designed by others and installed as per FBC 2017.

New Underlayment: Minimum underlayment as per FBC 2017 Section 1507.4.5.1. Required for new construction.

Existing Underlayment: One layer of asphalt shingles over one layer of #30 felt. For reroofing (Optional) construction only.

Slope: 1/2:12 or greater in accordance with FBC 2017 Section 1507.4.2

Design Uplift Pressure: 71.0 psf @ fastener spacing of 24" o.c.
(Factor of Safety = 2) 169.0 psf @ fastener spacing of 6" o.c.

Panel Attachment: #10-15 x 2" long wood screw with washer
At interior @ max 12" o.c. across panel width through panel rib
At panel ends @ max 6" o.c. across panel width through panel flat and rib

Test Standards: Roof assembly tested in accordance with UL580-06 'Uplift Resistance of Roof Assemblies' & UL1897-04 'Uplift Tests for Roof Covering Systems'.

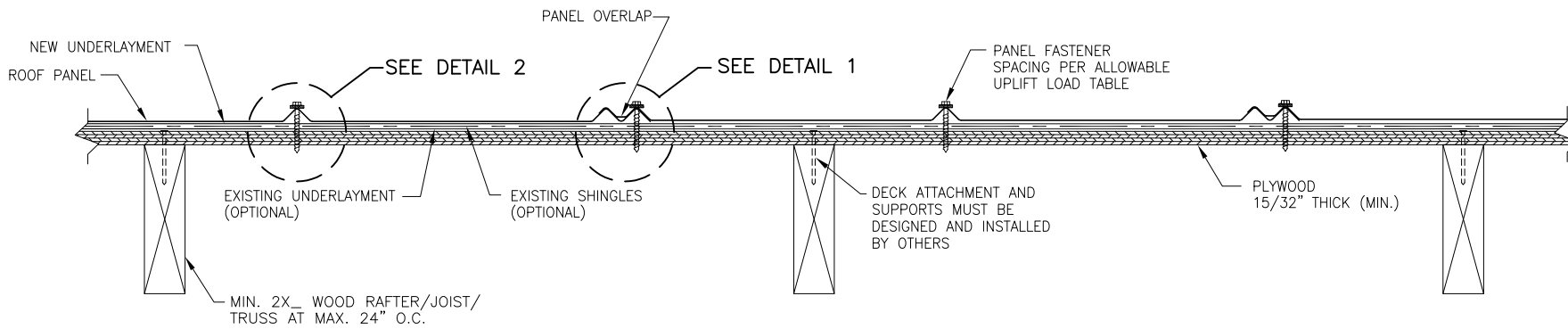
Test Equivalency: The test procedures in UL 1897-04 comply with test procedures prescribed in UL 1897-12.

Code Compliance: The product described herein has demonstrated compliance with FBC 2017 Section 1507.4.

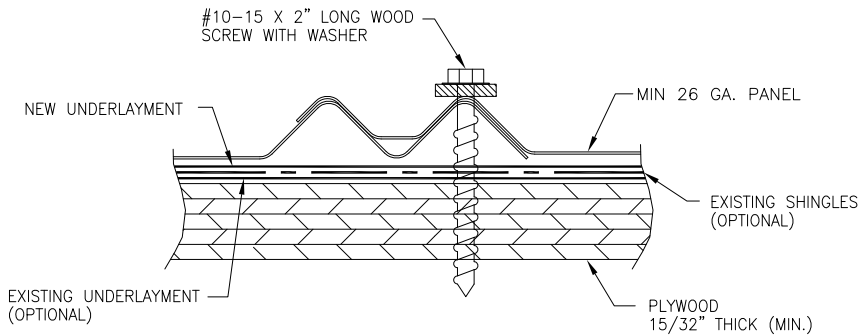
Product Limitations: Design wind loads shall be determined for each project in accordance with FBC 2017 Section 1609 or ASCE 7-10 using allowable stress design. The maximum fastener spacing listed herein shall not be exceeded. The design pressure for reduced fastener spacing may be computed using rational analysis prepared by a Florida Professional Engineer or based on Union load span table. This evaluation report is

not applicable in High Velocity Hurricane Zone. Refer to current NOA for use of this product in High Velocity Hurricane Zone. Fire classification is not within scope of this Evaluation Report. Refer to FBC 2017 Section 1505 and current approved roofing materials directory or ASTM E108/UL790 report from an accredited laboratory for fire ratings of this product.

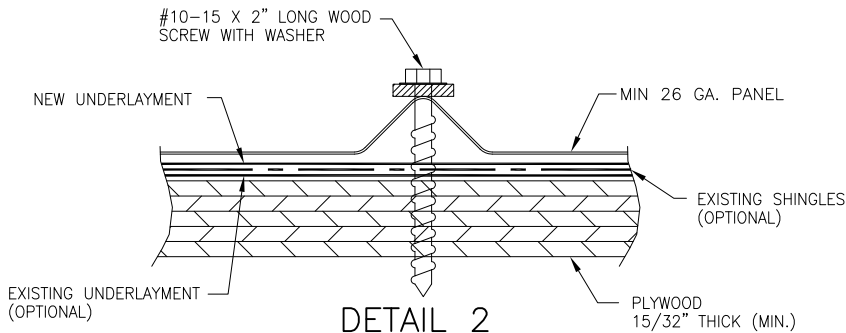
Supporting Documents: UL580 & UL1897 Test Reports
Farabaugh Engineering and Testing Inc.
Project No. T197-16, Reporting Date 5/12/16



TYPICAL PANEL INSTALLATION X-SECTION



DETAIL 1



DETAIL 2

GENERAL NOTES:

1. ARCHITECTURAL ROOF PANEL HAS BEEN DESIGNED IN ACCORDANCE WITH THE FLORIDA BUILDING CODE (FBC).
2. ROOF PANELS SHALL BE MINIMUM 26 GA. EFFECTIVE COVERING WIDTH OF PANEL = 24"
3. THE ROOF PANELS SHALL BE INSTALLED OVER SHEATHING & STRUCTURE AS SPECIFIED ON THIS DRAWING.
4. REQUIRED DESIGN WIND LOADS SHALL BE DETERMINED FOR EACH PROJECT. THIS PANEL SYSTEM MAY NOT BE INSTALLED WHEN THE REQUIRED DESIGN WIND LOADS ARE GREATER THAN THE ALLOWABLE WIND LOAD TABLE.
5. ALL FASTENERS MUST BE IN ACCORDANCE WITH THIS DRAWING & THE FLORIDA BUILDING CODE. IF A DIFFERENCE OCCURS BETWEEN THE MINIMUM REQUIREMENTS OF THIS DRAWING & THE CODE, THE CODE SHALL CONTROL.
6. RAFTERS/JOISTS/TRUSSES MUST BE DESIGNED TO WITHSTAND WIND LOADS AS REQUIRED FOR EACH APPLICATION AND ARE THE RESPONSIBILITY OF OTHERS.

DRAWN BY: B.S.
CHECKED BY:

PLOT: DATE: 5/23/16

NO.	REVISION	DESCRIPTION	DATE

MANUFACTURER
UNION CORRUGATING CO.
701 S. KING STREET
FAYETTEVILLE, NC 28301
910-483-2195

CONSULTANTS
BALA SOCKALINGAM, PH.D., P.E.
1216 N. LANSING AVE., SUITE C
FAYETTEVILLE, NC 28301
PHONE: 918-492-8992 FAX: 866-366-1543

DRAWING TITLE
5V PANEL

DRAWING NO. REV.
C2175-1

SHEET NO.
1 OF 1

UNION CORRUGATING COMPANY

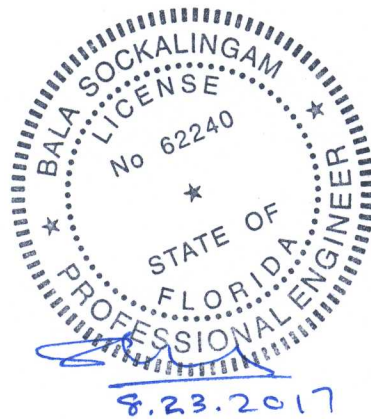
5V Panel Uplift Loads

(Min 26 ga.)

Description	Fastener Spacing along Panel Length (in)	Allowable Uplift Load (psf)
Coverage width: 24" Panel Fasteners #10-15 hex head screws with sealed washer Panel fasteners spaced at 12" o.c. across panel width through ribs.	6	169.0
	8	158.1
	10	147.2
	12	136.3
	14	121.7
	16	106.5
	18	94.7
	20	85.2
	22	77.5
	24	71.0

Notes:

1. The bold numbers indicate design loads calculated from test data with safety factor of 2.
2. Panels must be installed as per Evaluation Report FL 20484.1 and Union current installation procedure.



1216 N Lansing Ave., Suite C
 Tulsa, Ok 74106
 918 492 5992

Bala Sockalingam, Ph.D., P.E.
 FL 62240